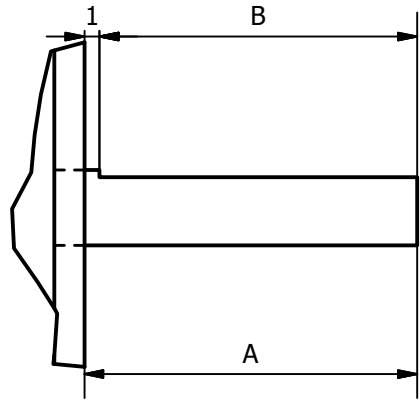
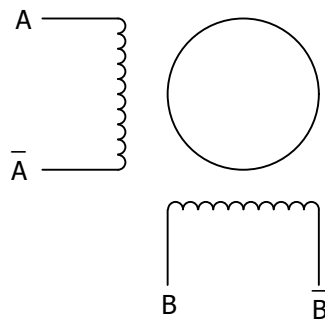
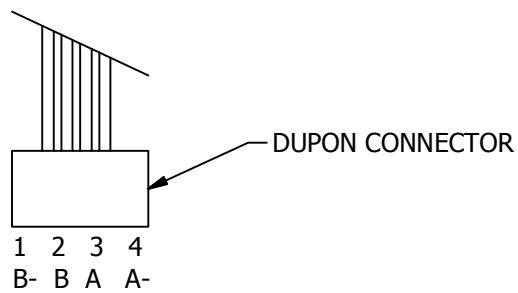
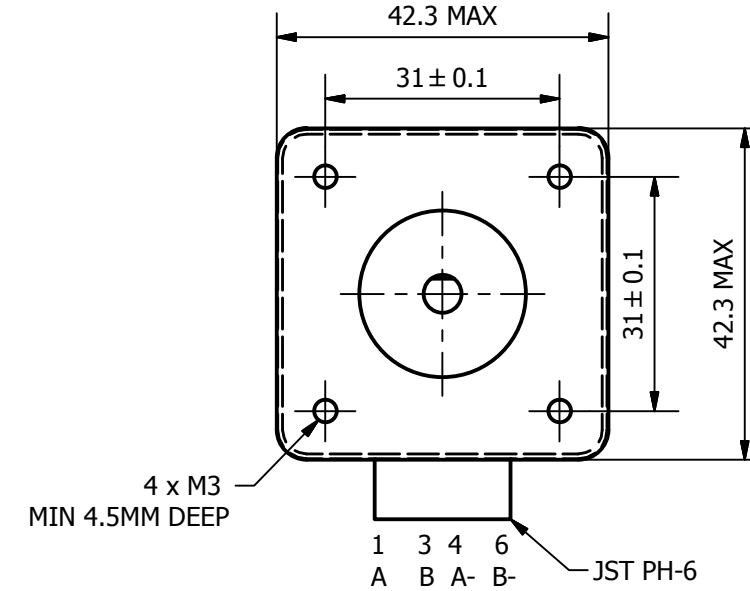
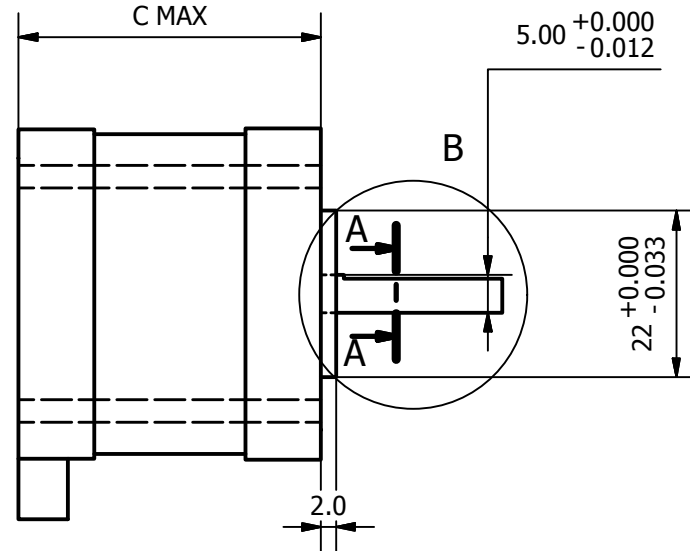
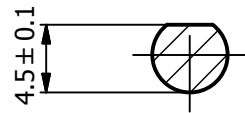


B (2:1)



A-A (2:1)



VARIANTS							
E3D SKU	A (Shaft Length, mm)	B (D Length, mm)	Holding Torque (N/cm)	C (Body Length, mm)	Rated Voltage (VD)	Step Angle (°)	Connector
E-MOTOR-NEMA17-26MM-D-SHAFT	25	24	12.7	26	2.7	0.9	JSTPH-6
E-MOTOR-NEMA17-40MM	25	0(NO D-SHAFT)	34	40	2.8	0.9	JSTPH-6
E-MOTOR-NEMA17-48MM	25	0 (NO D-SHAFT)	43	48	2.8	0.9	JSTPH-6
E-MOTOR-NEMA17-65MM-D-SHAFT	25	24	80	60	4.0	1.8	JSTPH-6
E-MOTOR-NEMA17-40MM-SCREW	365 Threaded	NA	31	40	2.8	1.8	JSTPH-6
E-MOTOR-GEARED-NEMA17	20 (8mm dia)	15	196	60	3.6	1.8	JSTPH-6


E3D SKU	Connector 1 Type	Pin	Desc	Wire Colour	Length	Connector 2	Pin	Desc
E-CABLE-MOTOR-1000	JSTPH-6A	1	A	Blue	1000mm	0.1" Dupon Female Header	3	A
		2					2	B
		3	B	Green			4	A-
		4	A-	Red				
		5						
		6	B-	Black				
E-CABLE-MOTOR-500-ULT	JSTPH-6A	1	A	Blue	500mm	JST XHP-4	3	A
		2					2	B
		3	B	Green			4	A-
		4	A-	Red				
		5						
		6	B-	Black				

THIRD ANGLE PROJECTION
 ALL DIMENSIONS IN MM
 SCALE: 1:1
 SURFACE FINISH: UNFINISHED UNLESS STATED

TOLERANCES UNLESS OTHERWISE STATED:
 X ±0.2
 X.X ±0.1
 X.XX ±0.05

Copyright (C) E3D-Online Ltd (e3d-online.com)

These drawings are free hardware: you can redistribute it and/or modify it under the terms of the GNU General Public License as published by the Free Software Foundation, either version 3 of the License, or (at your option) any later version.

Designed by ABL	Checked by JR	Approved by JR	Date 13/12/2016	Date 12/12/2016
			D SHAFT STEPPER MOTOR Nema17 D-shaft PUBLIC	
			Edition	Sheet 1 / 1