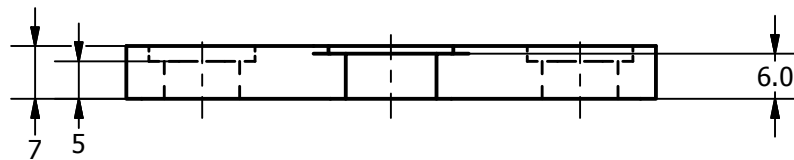
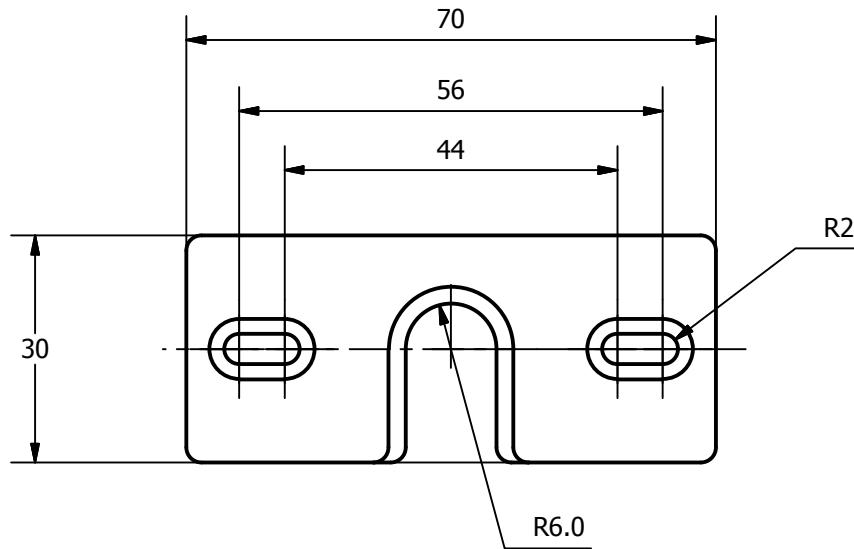


REVISION HISTORY				
ZONE	REV	DESCRIPTION	DATE	APPROVED
	1	First Release	20/12/2016	SM



Note

This mounting plate is designed to fit tightly to a groove mount. When seating the heatsink into the plate, press it against a hard flat surface such as a desk to ensure it is fully seated.



This work is licenced under a Creative Commons Attribution-NonCommercial-ShareAlike 3.0 Unsupported Licence

Designed by RY	Checked by SM	Approved by SM	Date 20/12/2016	Date 16/08/2002
-------------------	------------------	-------------------	--------------------	--------------------

	Groove Mounting Plate		
	Groove Mounting Plate	Edition 1	Sheet 1 / 1